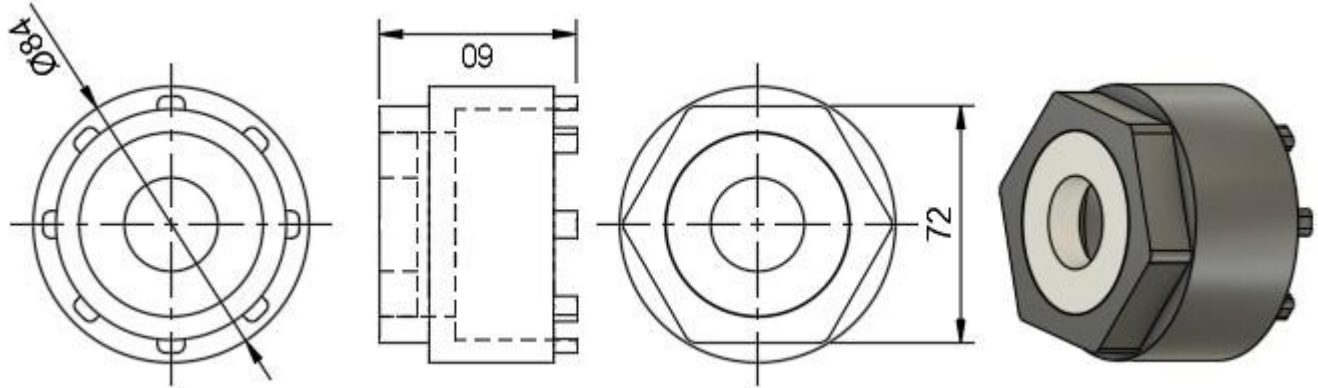




Tool for mantling and dismantling of steering rack double row bearing Part No. TLS20243



| Application |
|---|
| FORD EXPLORER 2015-, FORD EXPLORER 2016- (POLISE), FORD EXPLORER 2016- (SPORT), FORD FLEX 2013- WITH AUTOMATED PARKING SYSTEM |

FITS THE FOLLOWING

| Rack part number | Crossreferences | Application |
|------------------|--|---|
| ATGE42561RB | FORD HB5Z3504M, HB5Z3504A, HB5Z3504J, HB5Z3504D | Ford Explorer V Restyling II (2017-2019) |
| ATGE43461RB | FORD CA5Z3504ERM MOTORCRAFT STE485RM | Ford Flex I Restyling (2013-) |
| ATGE43601RB | FORD HB5Z3504B, HB5Z3504H, HB5Z3504G, HB5Z3504N | Ford Explorer V Restyling II (2017-2019) |
| ATGE43611RB | FORD HB5Z3504C, HB5Z3504F, HB5Z3504E, HB5Z3504P | Ford Explorer V Restyling II (2017-2019) |

More new products at <https://www.atg-components.com/warehouse-news>